

Introducing the **RD-Fx™ UVC System**

Room disinfection in under 2 minutes



Data Distributing
the Image Distribution People

The RD-Fx™ UVC System

Helping to keep you and your patients safe.



The health of your staff and the patients you serve is your top priority – and it's ours, too. Keeping your dental practice effectively and reliably disinfected is the first step, and the RD-Fx™ UVC System is the dependable choice. The RD-Fx™ UVC System is an advanced disinfection system designed to provide rapid disinfection of a procedure or treatment room in under 2 minutes for coronavirus and other harmful pathogens, including viruses and bacteria.

Simple and Powerful.

Operation of the ceiling-mounted RD-Fx™ UVC System is simple and it does not have to be moved or positioned with each use. Its powerful, cloud-based reporting system – uniquely configured for your space by our Steriliz UVC experts – provides unrivaled accountability and compliance reporting.



After each procedure, complete a manual clean like you normally would do. Exit the room, close the door, enter a user-specific PIN, select the dose desired (if you have programmed multiple doses, i.e., COVID-19, MRSA, C.diff, etc.), and press Start to begin the disinfection cycle. The display shows a countdown and indicates when the process is complete. Disinfection data (room, date, time, user, duration, delivered dose, etc.) is posted to your cloud portal in real time. When completed, the room is immediately available for your next patient. It's that simple.

Disinfection. Delivered.

The RD-Fx™ UVC System features a patent-pending, Sure-Safe™ remote calibration sensor that measures the UVC output from the RD-Fx™ UVC System light fixtures at a targeted location in the room. The Sure-Safe™ sensor confirms that the required UVC dose has been delivered to the targeted areas in your space and that each RD-Fx™ UVC System stores the calibrated dosage profile for future disinfection treatments. Calibration of the system is simply performed by your staff as often as you like but recommended at least once every 180 days.

The RD-Fx™ UVC System joins the family of RD™ UVC Disinfectant Systems – the only UVC systems that measure and confirm that the published UVC dose necessary to kill pathogens has been delivered. The RD™ UVC Disinfectant Systems are the only scientific dose, measurement-based systems on the market today.

sales@datadistributing.com | www.datadistributing.com | 800.635.6779

Key Features of the RD-Fx™ UVC System.

■ Fixed-Location Placement

One-time, initial installation – by any licensed electrician using the RD-Fx™ UVC Installation Manual and Steriliz team support – means there's no need to position fixtures with each use. Light fixtures are mounted to the wall or ceiling, depending on the room. Two RD-Fx™ UVC System fixtures are typically used per room – depending on the size and treatment time desired.

■ High-Tech Linear Fixtures

Feature highly polished, precision tuned reflectors to maximize UVC output and minimize treatment time, thereby keeping your room available for use more of the time.

■ Patent-Pending Remote Fixed Sure-Safe™ Sensors

A patent-pending remote wireless calibration sensor ensures the total amount of UVC light delivered from the fixtures is equal to, or greater than, what is required to inactivate the targeted pathogen.

■ Ultra-Fast Treatment Time

A location-specialized UVC dose is quickly delivered to target life-threatening HAI pathogens and disinfect an entire room with higher efficacy. Rooms can be disinfected in as little as 2 minutes, minimizing downtime between patient cases.

■ Real-Time, Online Data Capture

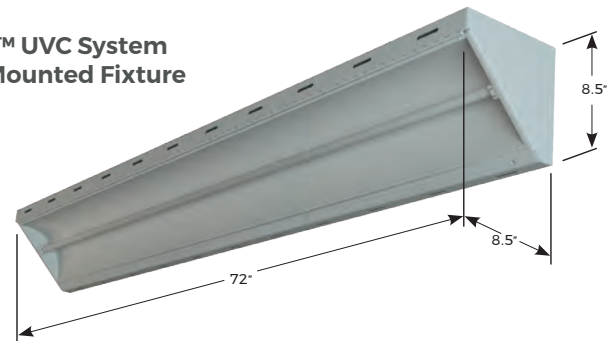
Critical information, including date, time, operator, room number, cycle time, and delivered dose, is captured via In-Trak™ Infection Control Software.

■ Touch-Screen Control Panel

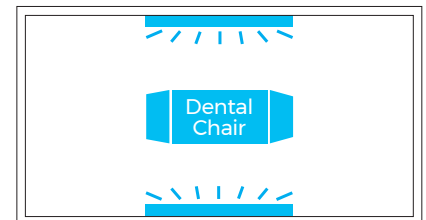
The user-friendly control panel is located outside the room for safe operation of the system. Additionally, an e-stop button is easily accessible to stop or pause the system in case of an emergency.



■ RD-Fx™ UVC System Wall-Mounted Fixture



■ Ideal Placement for 2-fixture System



sales@datadistributing.com | www.datadistributing.com | 800.635.6779



Data Distributing
the Image Distribution People

System Components Supplied with Each 2-Fixture System

- (2) RD-Fx™ High Output UVC Fixtures with Ultra-Reflector, Ballast and Lamp
- (2) Red E-Stop Switches
- (2) E-Stop Switch Plates
- (1) Touchscreen Control with Mounting Kit
- (2) Sets of Door Contact and Magnet
- (1) Control Box
- (2) USB Cables
- Installation Instructions

RD-Fx™ System Add-Ons

These add-ons are required if you do not already have a RD UVC System.

- Wire Calibration Sensor
- Wi-Fi Hotspot
- 1-year Support and Cloud Access

For any other customization needs, please contact your sales representative.

Power Requirements for Each 2-Fixture System

VOLTAGE

- 120 Vac

CURRENT

- 4 amps each fixture, 8 amps total

FREQUENCY

- 50/60 Hz

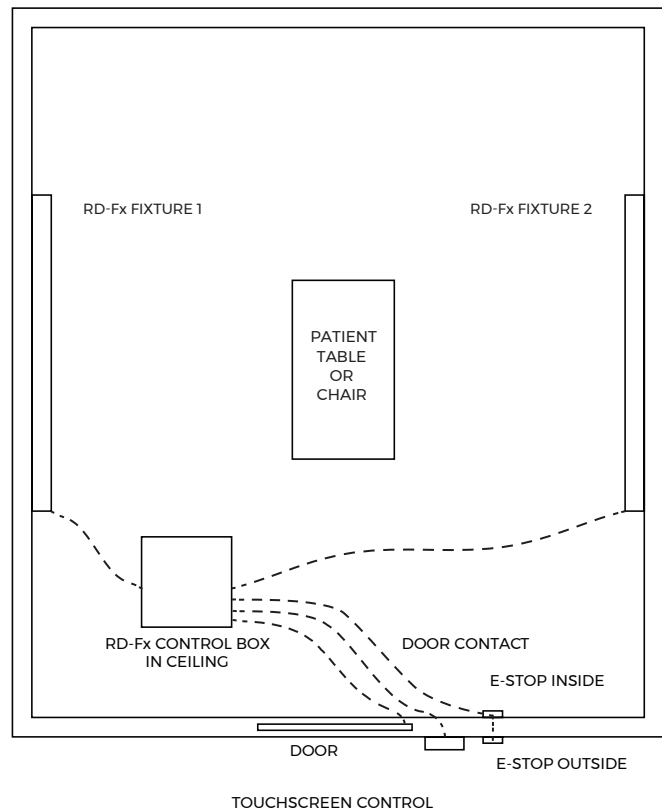
EXTERIOR DIMENSIONS

- L: 72 in. (182.88 cm)
- W: 8.5 in. (21.59 cm)
- D: 8.5 in. (21.59 cm)

RD-Fx™ FIXTURE WEIGHT

- 40 pounds each

RD-Fx™ SYSTEM LAYOUT - TOP VIEW PROCEDURE ROOM - TYPICAL LAYOUT



Installation is straight forward for a trained electrician.

The diagram above shows a typical dental office floorplan layout of RD-Fx™ UVC Disinfection System components. Note the RD-Fx™ fixtures are on opposite walls and centered on the patient chair/table so all surfaces are exposed to UVC light when the system is in operation to disinfect.

sales@datadistributing.com | www.datadistributing.com | 800.635.6779



Data Distributing
the Image Distribution People